

Project	
Fixture Type	
Prepared by	



Description

The Calzada™ is a low energy LED path light. Its contemporary design blends discreetly into the surrounding landscape. Superior lasting LED technology delivers reliable low maintenance lighting service.

Engineered specifically for today's LED technology the Calzada's fixture design provides critical thermal transfer. Excellent heat removal ensures high performance and reliability of its LED light source. Other features include anti-wicking power lead and service upgrade capability.

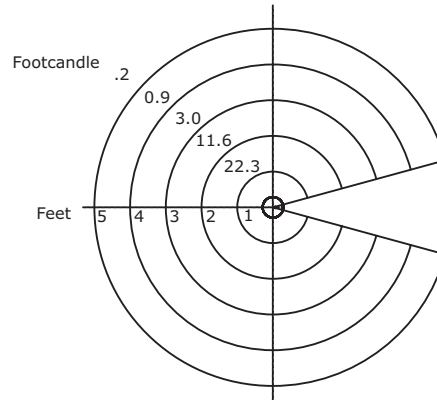
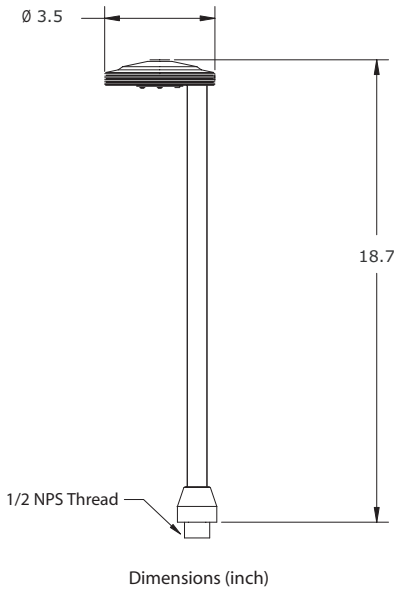
Specifications

Light Source:	High-brightness LED (light emitting diode)
LED Life (L70):	50,000 hours average *
Input Voltage:	7 to 15 V
Power Consumption:	3.7 W
Color Temperature:	3000 CCT (K) Typical
CRI:	80 Typical
Lens:	Clear Acrylic, Impact and UV resistant
Material:	6061-T6 Aluminum, Brass and Copper Stainless steel hardware
Mounting:	ABS Post and Cap Standard
Operating Temperature:	-31F to 122F (-35C to 50C)

Certification: UL1838



* LED life is defined as the time to 70% lumen maintenance (L70)



Ordering Guide

Prefix	Top	Post	Finish	Quantity
CZ	[AL] Alum [BR] Brass [CU] Copper	[PA] Alum [PB] Brass [PC] Copper	[N] Natural [BK] Powder Coat Black [GR] Powder Coat Green [BN] Powder Coat Brown ** [C] Custom	

** Consult the factory for custom finish.



Due to continuous improvement, DG Lights reserves the right to make any variation in design or construction to the fixtures described.